

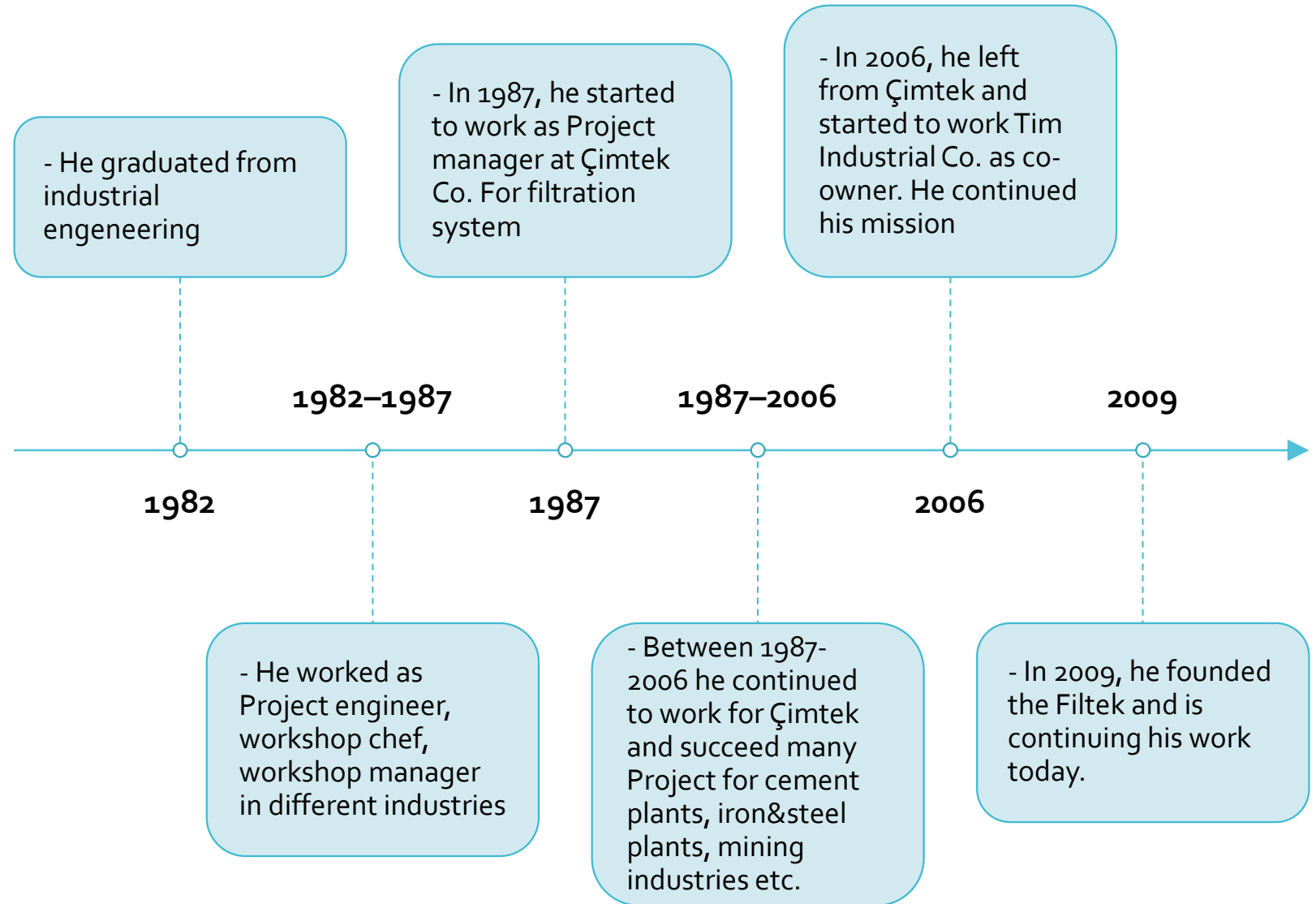
WELCOME

FİLTEK MAKİNA

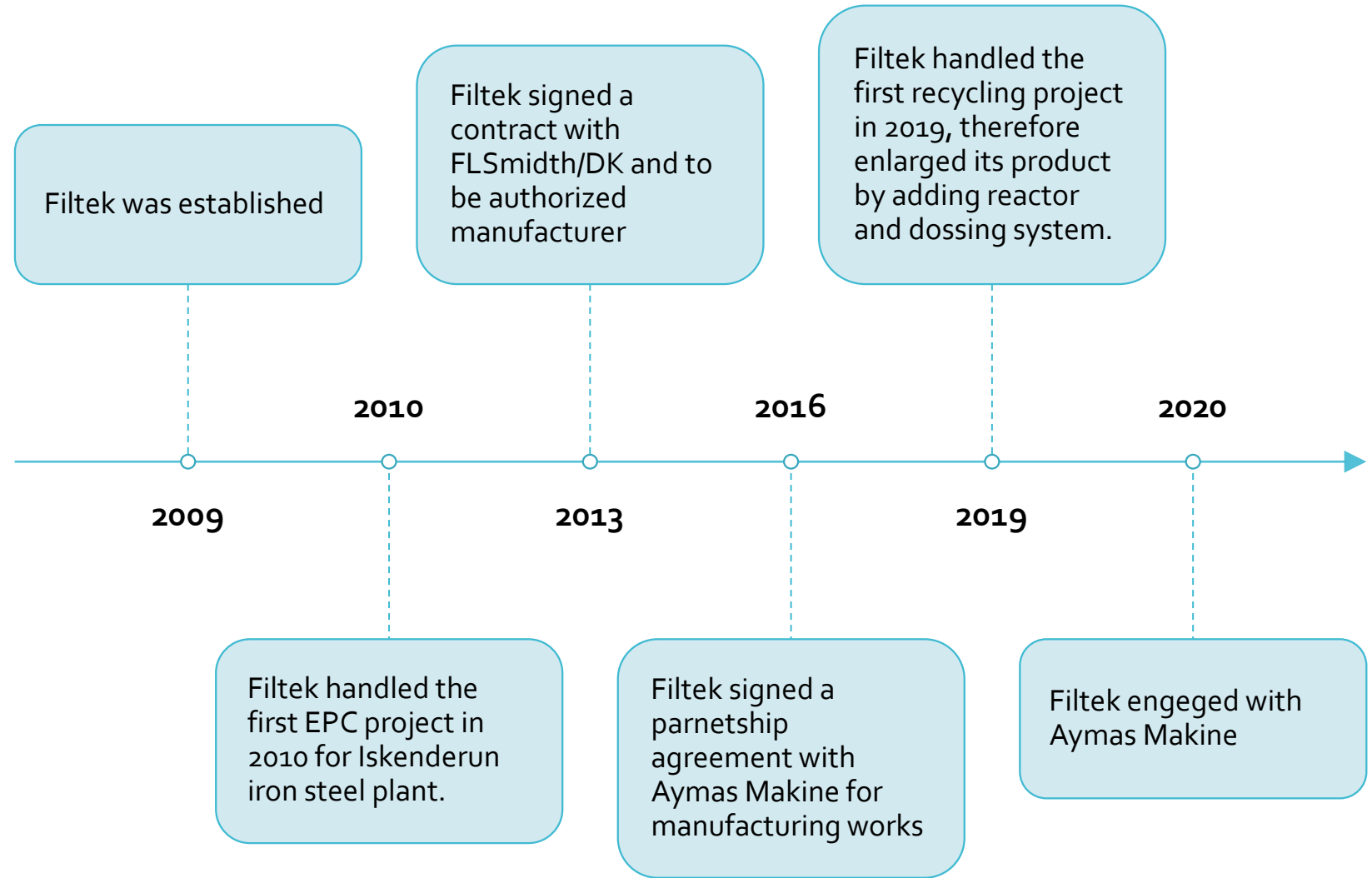
2023

ABOUT FILTEK FOUNDER

Filtek was established in 2009 by Mr. Turan AKTAS...

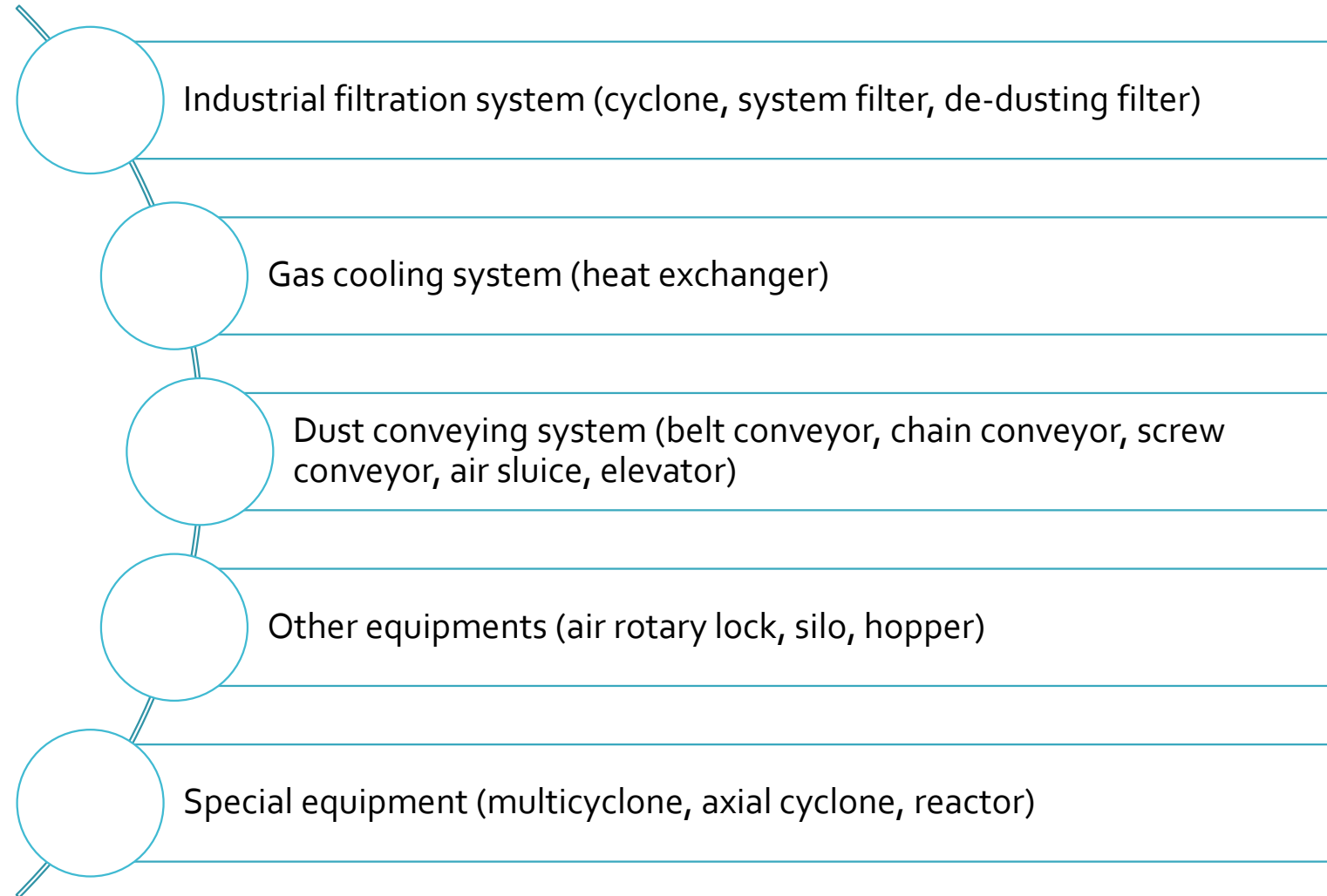


OUR MILESTONES



WHAT IS OUR PROFFESION

Filtek presented it's own technologies
to client as EP, EPC

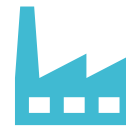


Filtek & FLSmith



Local Project

- 21 ESP conversing projects
- 2 ESP upgrading projects
- 2 FF upgrading projects



Manufacturing for abroad project

Annual capacity is: 200t
Parts area: Filter casing, filter top boxes, steel structure, hopper, Access facilities, heat exchanger casing, GCT casing, duct works.

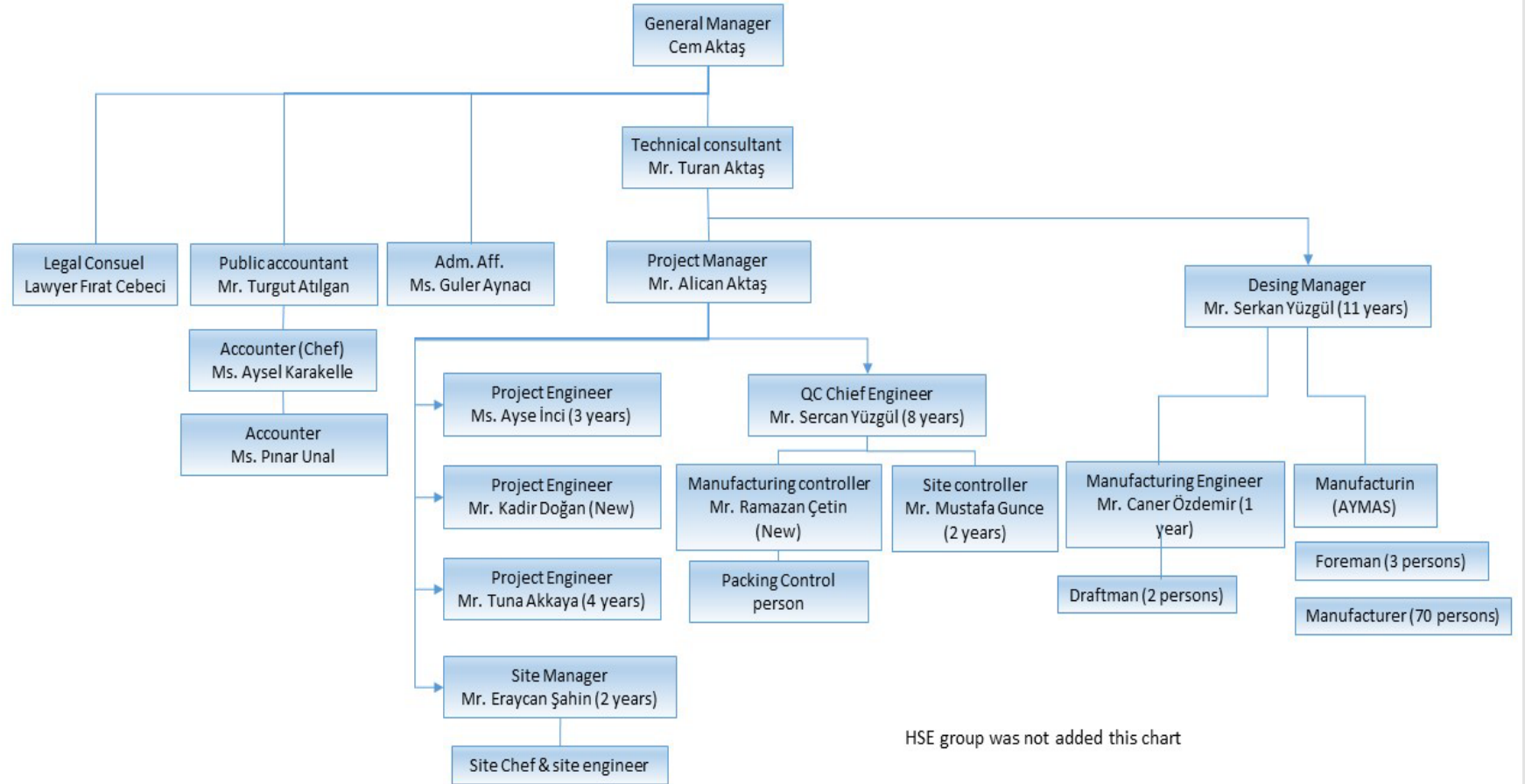


Spare part

Annual capacity: 50t
Parts: ESP internals, GDS system for FF.



ORGANIZATION CHART



HSE group was not added this chart

OUR ORGANIZATION

OUR NATIONAL
CLIENTS



OUR
INTERNATIONAL
CLIENTS



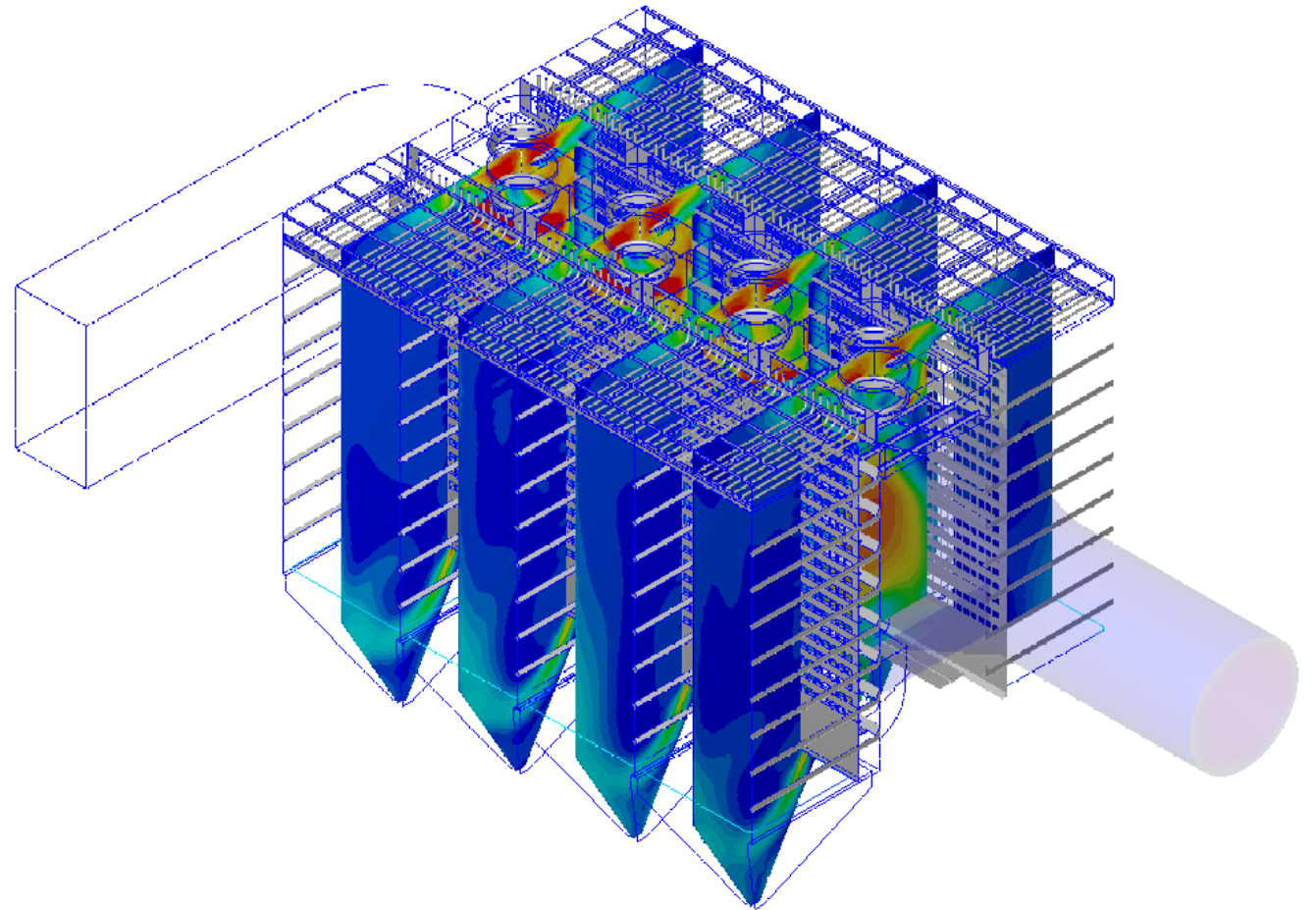
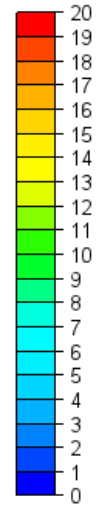
OUR TECHNOLOGIES

Filtek uses the CFD Technologies for:

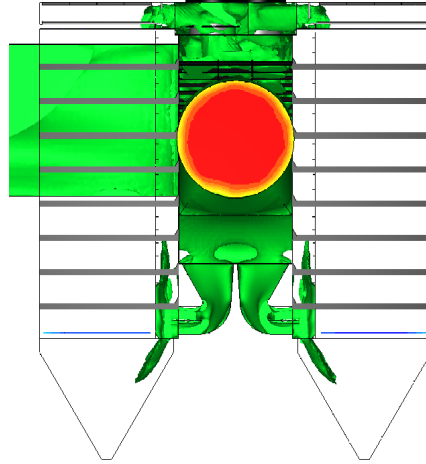
Internal flow analysing for filters,

Internal flow analysing for duct works.

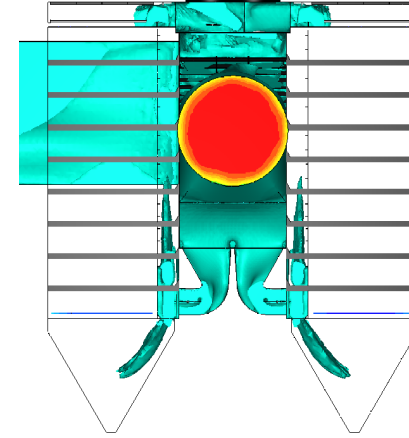
(1) Velocity Magnitude - m/s



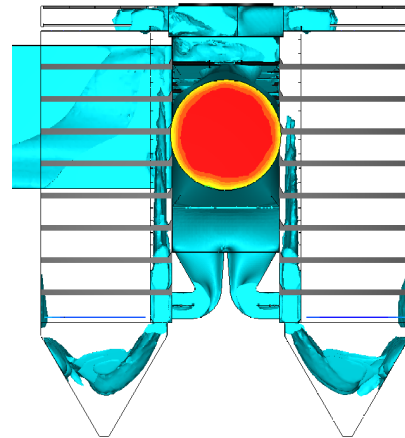
CFD for Filter



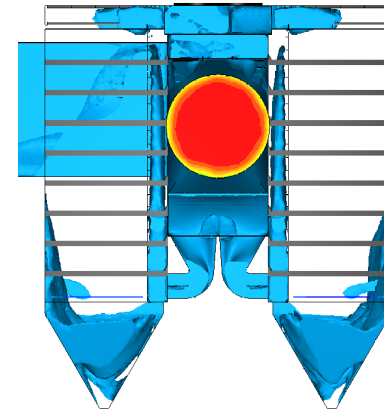
$V \geq 10$ m/s



$V \geq 8$ m/s

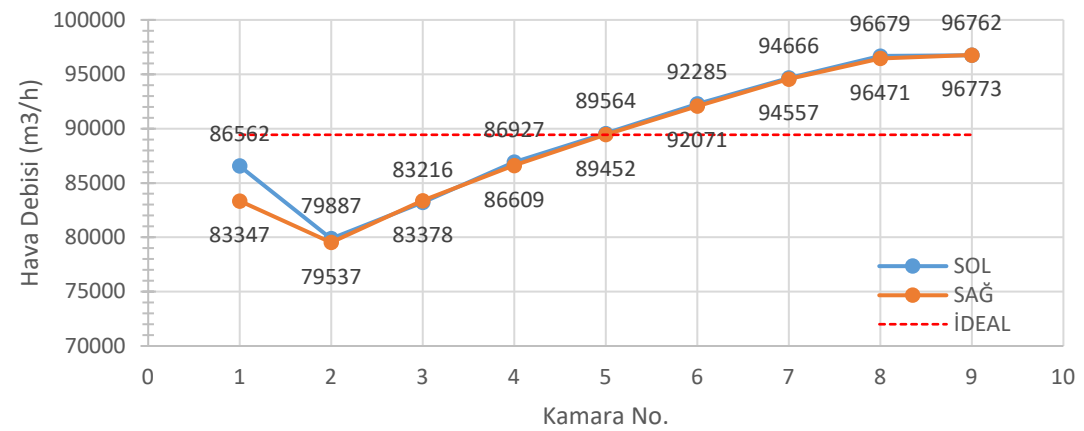
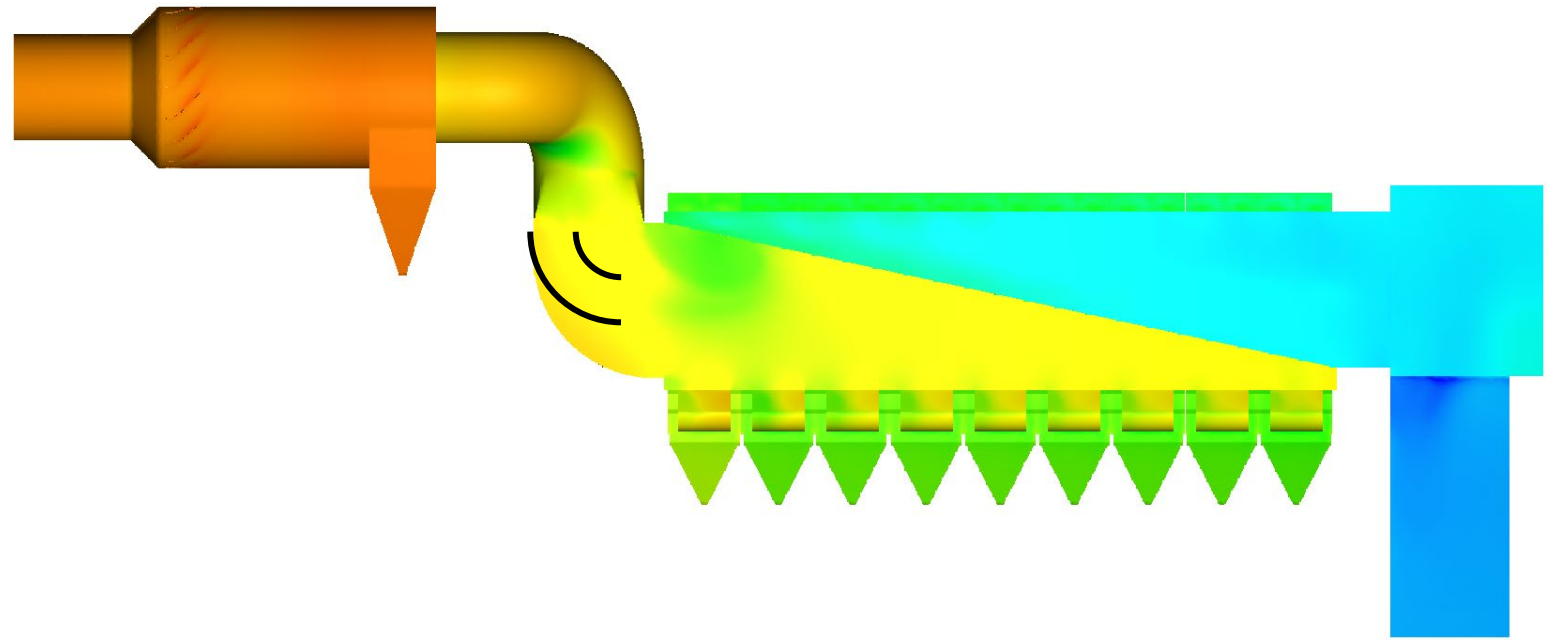


$V \geq 6$ m/s

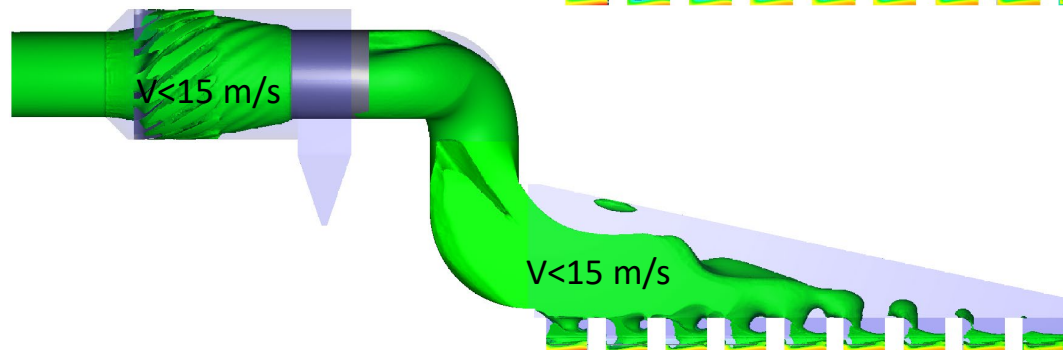
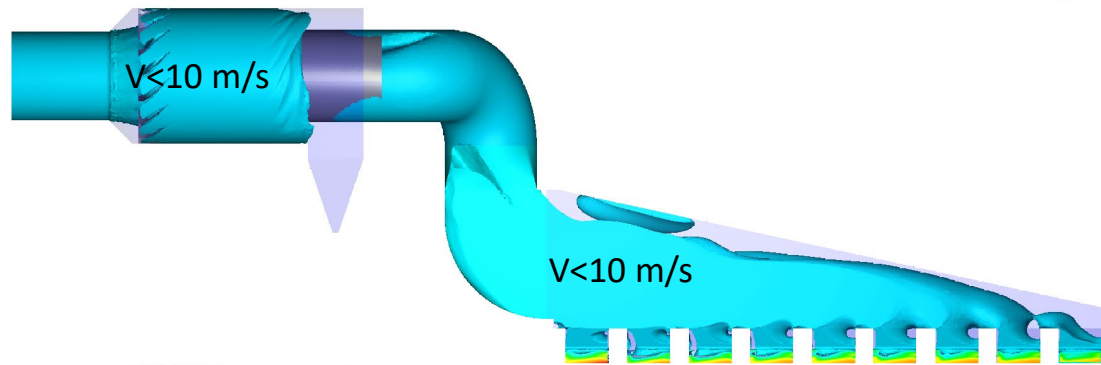
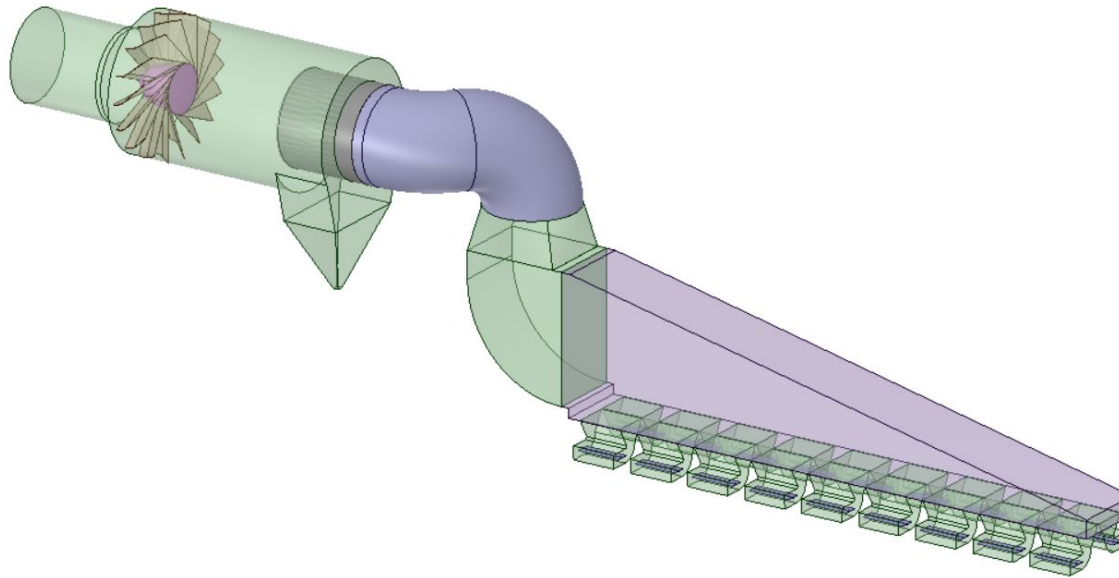


$V \geq 4$ m/s

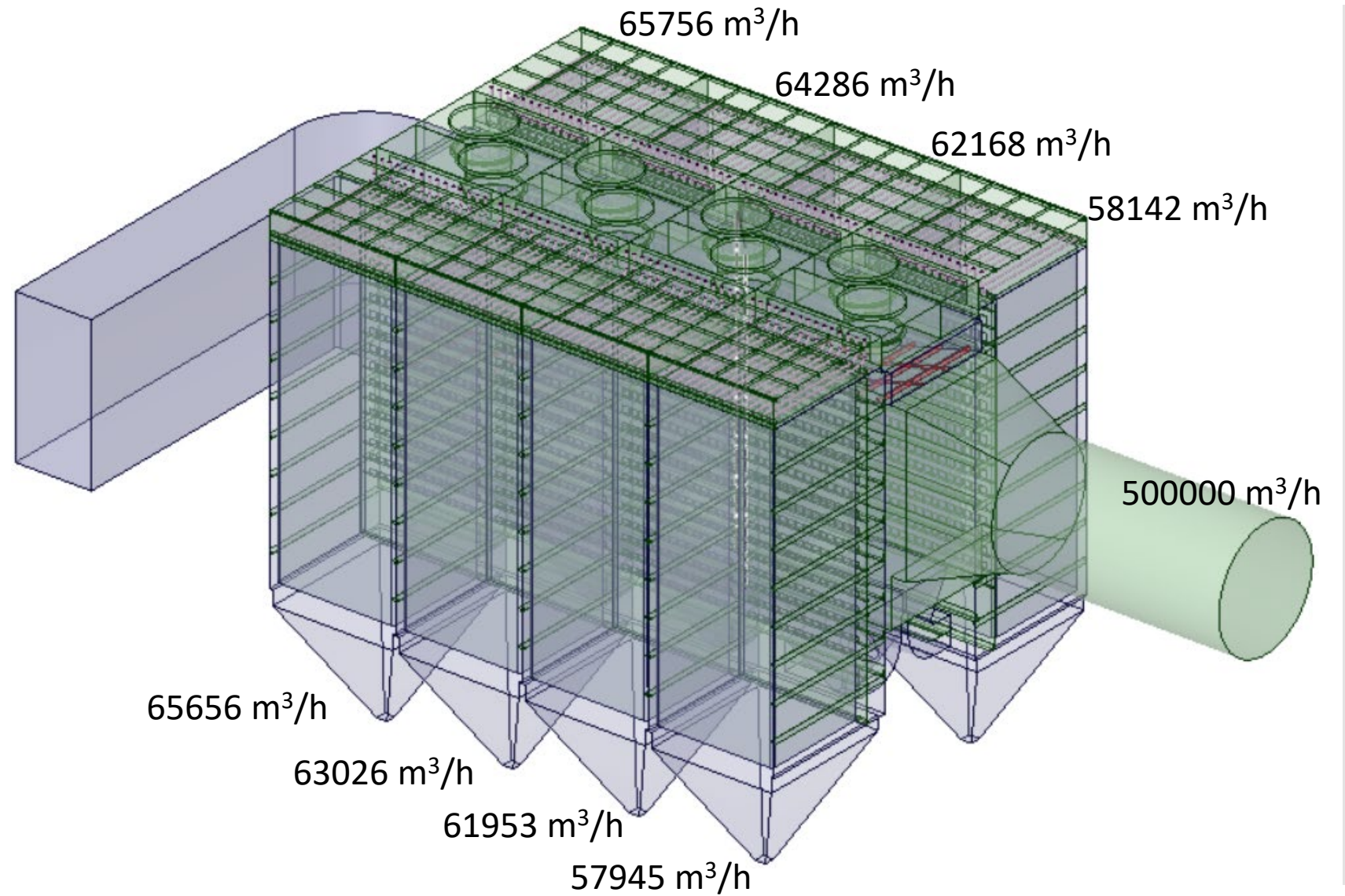
CFD for filters



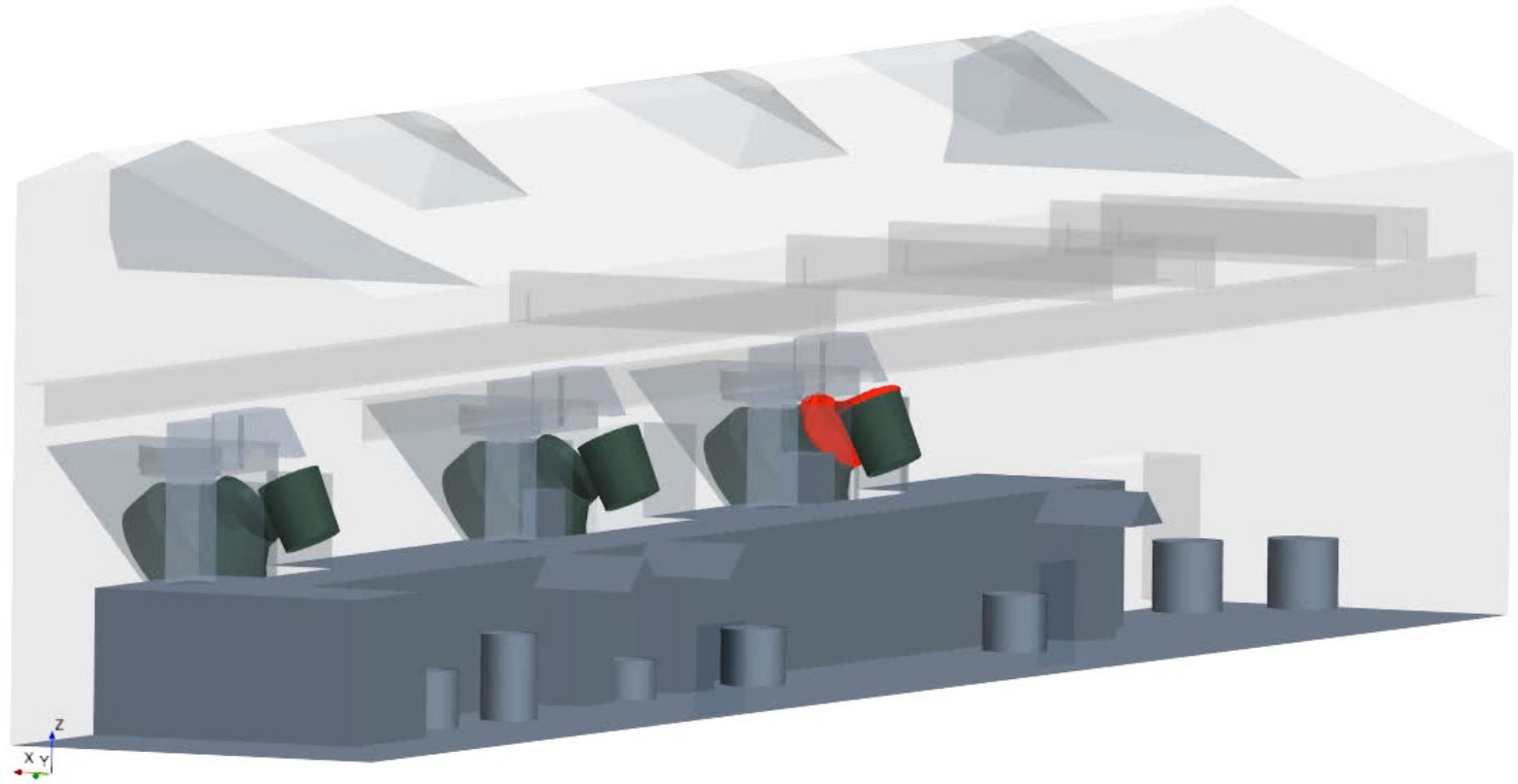
CFD for filters



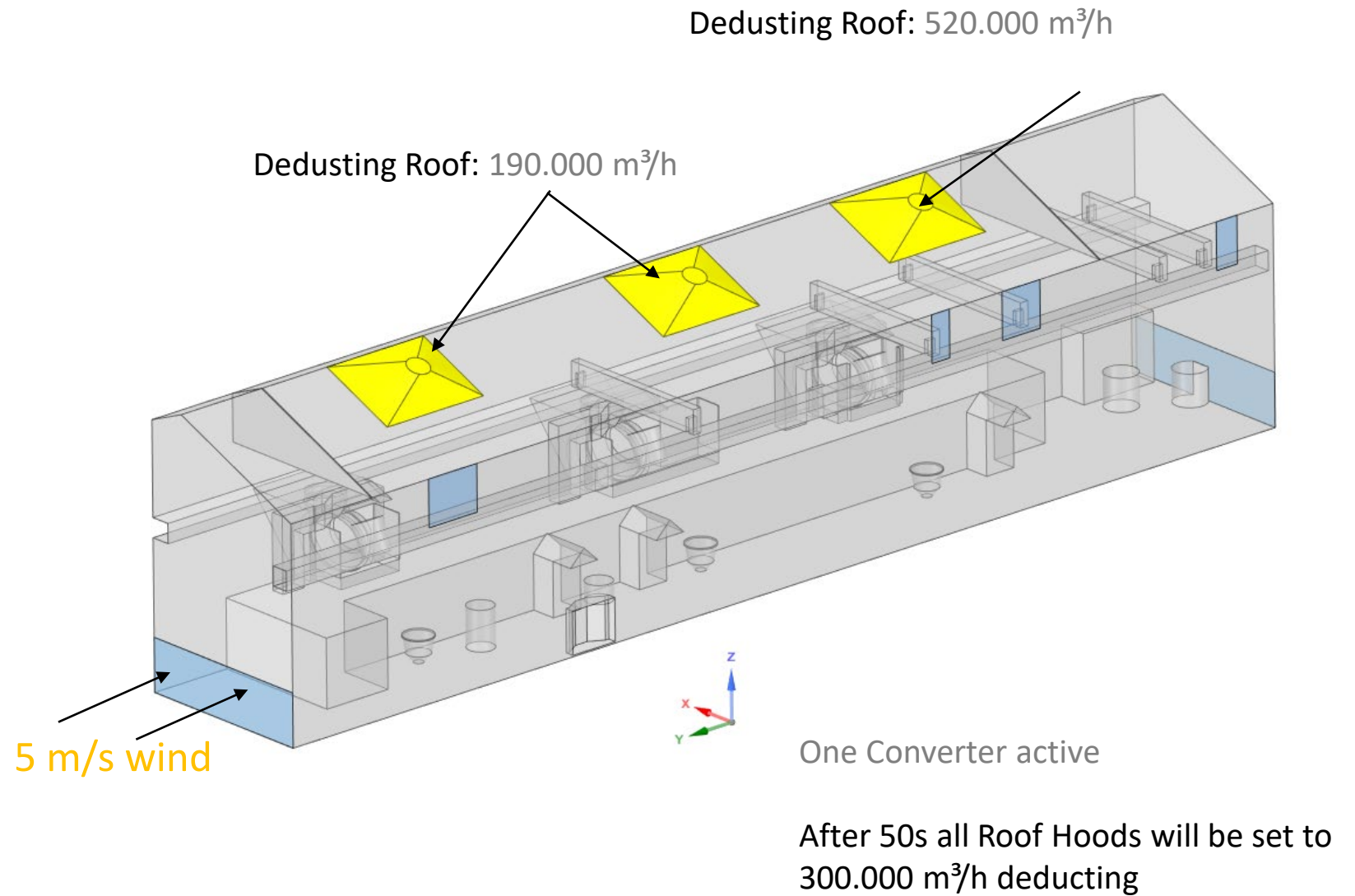
CFD for filters



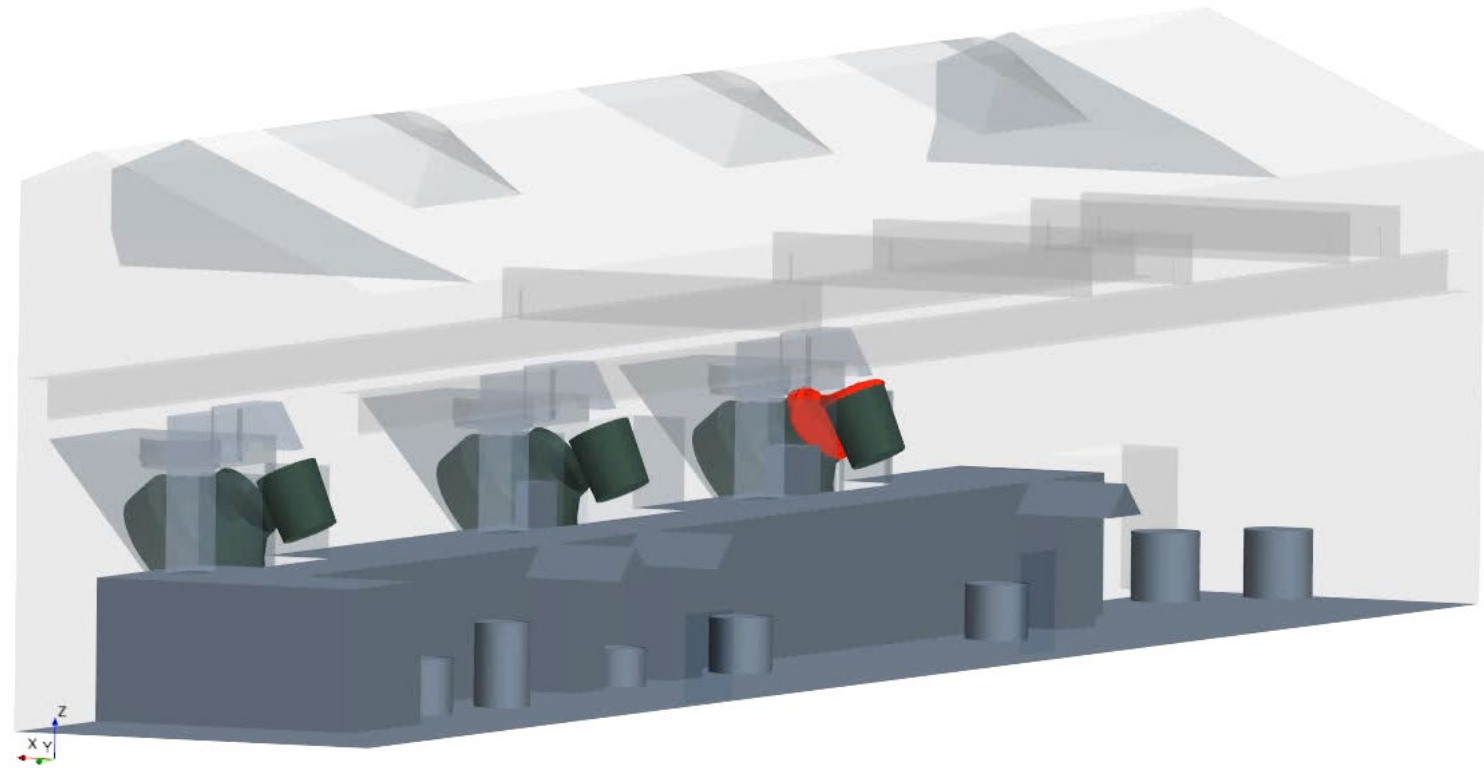
CFD for duct works



CFD for duct works



CFD for duct works



Our referances for ESP conversing works



LATEST REFERANCES FOR ESP TO FF

No	Client	Description of works	Details	No. Of filter which were converted	Filter Types	Achieved emission level	Year
1	Oyak / Aslan Cement Plant	Conversion works from ESP to bag house filter	Rotary kiln no:1 ESP conversiton (595.000m³/h) Rotary kiln no:2 ESP conversiton (730.000m³/h)	2	On-line maintenance FF	<10mg/m³	2007-2008
2	Nuh Cement Plant	Conversion works from ESP to bag house filter	Rotary kiln no:1 ESP conversiton (690.000m³/h) Rotary kiln no:2 ESP conversiton (695.000m³/h) Rotary kiln no:3 ESP conversiton (968.000m³/h) Trass dryer mill ESP conversion works (445.000m³/h) Cement mill 1/2/3 ESP conversion works	7	On-line maintenance FF	<10mg/m³	2008-2011
3	Limak / Diyarbakir Cement	Conversion works from ESP to bag house filter	Rotary kiln no:1 ESP conversiton (495.000m³/h)	1	On-line maintenance FF	<10mg/m³	2011
7	Erdemir / Ereğli Iron&seteel	Upgrading works of Sinter ESP's	2*1.110.000m³/h capacity ESP were upgraded by changing all internals	2	ESP	<10mg/m³	2012-2013
3	Cementrir / Izmir Cement Plant	Conversion works from ESP to bag house filter	Rotary kiln no:1 ESP conversiton (830.000m³/h) Rotary kiln no:2 ESP conversiton (640.000m³/h)	2	On-line maintenance FF	<10mg/m³	2011-2013
4	Titan / Adoçim	Conversion works from ESP to Hybrid filter	Rotary kiln ESP conversion works to HYBRID filter 996.000m³/h	1	Hybrid Filter	<10mg/m³	2013
5	Göлтаş Cement Plant	Conversion works from ESP to bag house filter	Rotary kiln no:1 ESP conversiton (709.000m³/h) Rotary kiln no:2 ESP conversiton (600.000m³/h) Rotary kiln no:3 ESP conversito (750.000m³/h)	3	Semi-off line maintenance / On-line maintenance FF	<5mg/m³	2013-2015
6	Isken / Power plant	Upgrading works of Sinter ESP's	2*869.000m³/h capacity ESP were upgraded by changing all internals	2	ESP	<10mg/m³	2018-2019
6	Kipaş / Kahramanmaraş Plant	Clinker cooler ESP upgrading works at Kipaş Cement plant	Rotary mill no:1 cooler ESP has been upgraded by us. All design engineering works were done by FLSmidth and Fil-Tek manufactured all local parts and site works will be finalize in April 2021	1	ESP	<10mg/m³	2021
TOTAL				21			

Our major filter projects



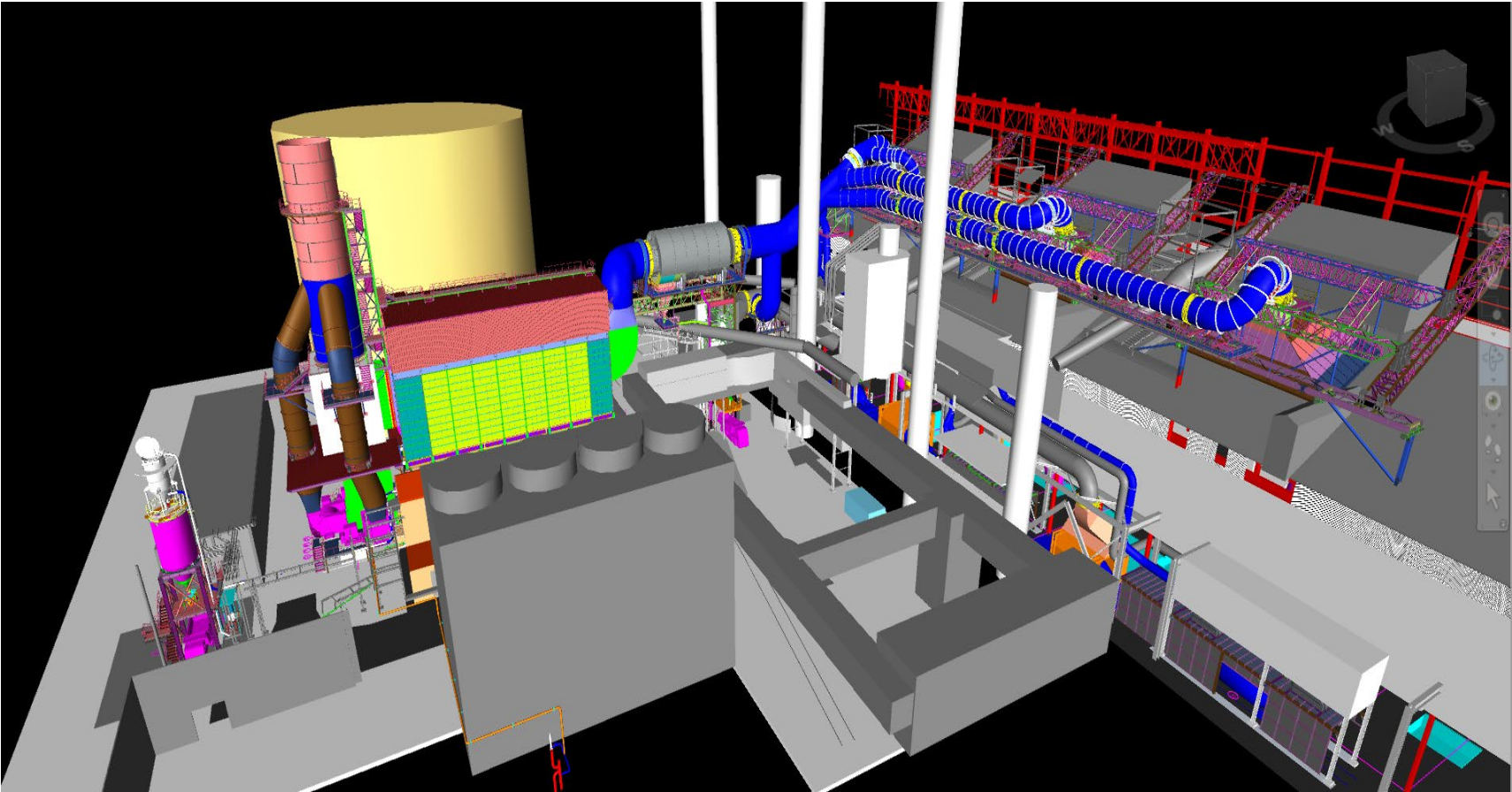
REFERENCE LIST FOR SYSTEM FILTERS

No	Client	Description of works	Details	Year
1	SCHEUCH	Oyak Çimento - Cement mill filter	500.000m ³ /h - 8960m ² BF EPC works	2010
2	FLSmidth	Conversion works from ESP to bag house filter	Rotary kiln no.1 ESP conversion (690.000m ³ /h) Rotary kiln no.2 ESP conversion (695.000m ³ /h) Rotary kiln no.3 ESP conversion (968.000m ³ /h) Trass dryer mill ESP conversion works (445.000m ³ /h) Cement mill 1/2/3 ESP conversion works	2008-2011
3	FLSmidth	Conversion works from ESP to Hybrid filter	Rotary kiln ESP conversion works to HYBRID filter 996.000m ³ /h	2013
4	Göлтаş Çimento fabrikası	Conversion works from ESP to bag house filter	Rotary kiln no.1 ESP conversion (709.000m ³ /h) Rotary kiln no.2 ESP conversion (600.000m ³ /h) Rotary kiln no.3 ESP conversion (750.000m ³ /h)	2013-2014
5	Göлтаş Çimento fabrikası	Drying mill filter	400.000m ³ /h - 6050m ² BF EPC works	2015
6	Erdemir A.Ş.	ESP upgrading works	Sinter plant ESP's (2 unit) has been upgraded by us. All design engineering works were done by FLSmidth and Fil-Tek manufactured, pre-installed and installed all parts at site with FLSmidth supervisor.	2013-2014
7	Üst Yapı A.Ş. - Sintek	Kavak Cement plant - system filters and bag house filters for grinding unit	50.000m ³ /h - 720m ² 70.000m ³ /h - 1175m ² 95.000m ³ /h - 1645m ² 120.000m ³ /h - 2084m ² 242.000m ³ /h - 4168m ² 360.000m ³ /h - 6315m ² BF's design, manufacturing works	2015-2016
8	Oyak Çimento	Aslan Cement factory - system filter of new roller press unit	480.000m ³ /h BF for roller press separator unit	2016
9	Şişecam Lukovac	De-dusting filter for warehouse	400.000m ³ /h - 5974m ² BF design and manufacturing works	2017
10	Sarralle Group	Befesa Iskenderun - Waelz oxide plant off gass system EPC contractor	According to off gas system which capacity is 187.000m ³ /h Conditioning tower, Production filter, Recirculation filter, Reactor unit, ID fan, All duct works, Active carbon silo, Dust conveying systems has been done by us as EPC contractor.	2018-2019
11	Efor A.Ş.	Biomass plant filter system	According to off gas system which capacity is 176000m ³ /h Axial cyclone, Bag house filter, Mixer unit, ID fan All duct works and chimney, CEMS system, Ash silo and pneumatic transport line works, will be done as EPC contractor.	2020
12	ERDEMİR A.Ş.	Steel plant secondary de-dusting filter	EPC contractor for 1.610.000.00m ³ /h filter, cyclone, fans, canopy hoods etc.	On-going
12	FLSmidth	Clinker cooler ESP upgrading works at Kipaş Cement plant	Rotary mill no.1 cooler ESP has been upgraded by us. All design engineering works were done by FLSmidth and Fil-Tek manufactured all local parts and site works will be finalize in April.	2021
13	Oyak Çimento	Adana Cement fabric filter for 4th rotary mill cooler	EPC contractor for 500.000m ³ /h new heat exchanger + fabric filter	2021

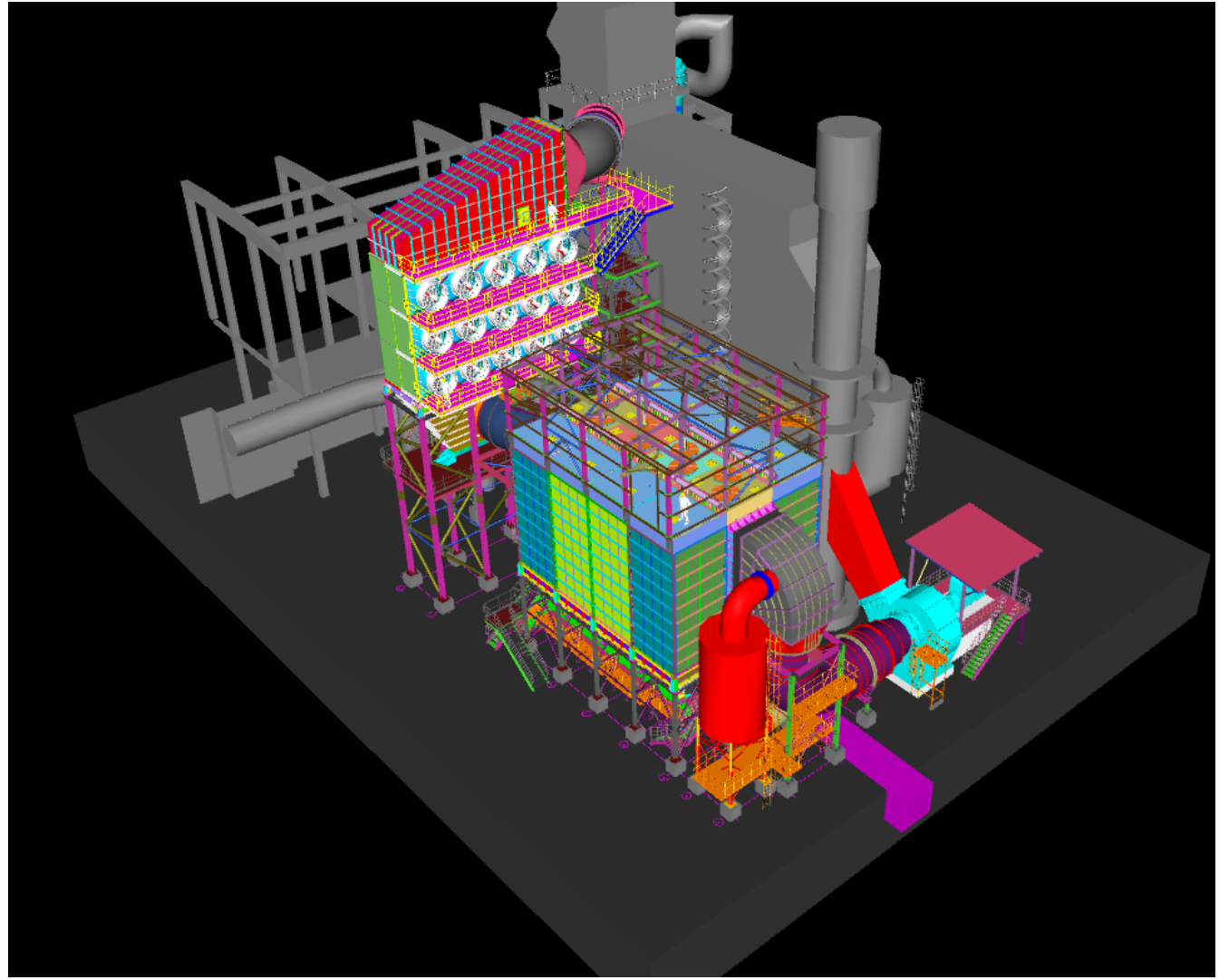
Our on-going projects

No	Client	Description	Contract price	Finish time
1	Ereğli Iron&Steel Plant	New coke battery central de-dusting system, capacity 360.000m ³ /h	€ 6.300.000,00	Dec 2023
2	Ereğli Iron&Steel Plant	Existing fabric filter upgrading works for blast furnace No.1	€ 975.000,00	Nov 2023
3	Ereğli Iron&Steel Plant	New de-dusting filter, capacity 1.610.000m ³ /h, for steel plant	€ 8.250.000,00	Feb 2023
4	Isdemir Iron&Steel Plant	New de-dusting filter for ferro alloy line	€ 505.000,00	Mayıs 23
5	Heidelberg Cement / Çanakkale	Existing raw mill filter upgrading works, capacity 1.200.000m ³ /h	€ 1.240.000,00	March 2023
6	Dehatech	Gas treatment system EP works (include process, recirculation, calcinatin filters, dossing system and reactor	€ 976.000,00	March 2023
7	Dehatech / Iraq	Gas treatment system EP works (include process, recirculation, calcinatin filters, dossing system and reactor	€ 895.000,00	July 2023
8	FLSmidth/DK	New compact clean ESP manufacturing works for Verdo / Denmark	€ 365.000,00	June 2023
9	Flsmidth/Turkey	ESP modification works for clinker cooler line No.1	€ 160.000,00	Feb 2023

From our project



From our project



From our project



From our project



From our project



From our project



From our project



From our project



After



Before

**THANK YOU FOR YOUR
ATTENTION**

Alican Aktaş

01.2023

Client	Description of works	Details	Year
SCHEUCH	Oyak Çimento - Cement mill filter	500.000m ³ /h - 8960m ² BF EPC works	2010
FLSmidth	Conversion works from ESP to bag house filter	Rotary kiln no:1 ESP conversion (690.000m ³ /h) Rotary kiln no:2 ESP conversion (695.000m ³ /h) Rotary kiln no:3 ESP conversion (968.000m ³ /h) Trass dryer mill ESP conversion works (445.000m ³ /h) Cement mill 1/2/3 ESP conversion works	2008-2011
FLSmidth	Conversion works from ESP to Hybrid filter	Rotary kiln ESP conversion works to HYBRID filter 996.000m ³ /h	2013
Göлтаş Çimento fabrikası	Conversion works from ESP to bag house filter	Rotary kiln no:1 ESP conversion (709.000m ³ /h) Rotary kiln no:2 ESP conversion (600.000m ³ /h) Rotary kiln no:3 ESP conversion (750.000m ³ /h)	2013-2014
Göлтаş Çimento fabrikası	Drying mill filter	400.000m ³ /h - 6050m ² BF EPC works	2015
Erdemir A.Ş.	ESP upgrading works	Sinter plant ESP's (2 unit) has been upgraded by us. All design engineering works were done by FLSmidth and Fil-Tek manufactured, pre-installed and installed all parts at site with FLSmidth supervisor.	2013-2014
Üst Yapı A.Ş. - Sintek	Kavak Cement plant - system filters and bag house filters for grinding unit	50.000m ³ /h - 720m ² - 70.000m ³ /h - 1175m ² 95.000m ³ /h - 1645m ² - 120.000m ³ /h - 2084m ² 242.000m ³ /h - 4168m ² 360.000m ³ /h - 6315m ² BF's design, manufacturing works	2015-2016
Oyak Çimento	Aslan Cement factory - system filter of new roller press unit	480.000m ³ /h BF for roller press separator unit	2016
Şişecam Lukovac	De-dusting filter for warehouse	400.000m ³ /h - 5974m ² BF design and manufacturing works	2017
Sarralle Group	Befesa İskenderun - Waelz oxide plant off gass system EPC contractor	According to off gas system which capacity is 187.000m ³ /h Conditioning tower, Production filter, Recirculation filter, Reactor unit, ID fan, All duct works, Active carbon silo, Dust conveying systems has been done by us as EPC contractor.	2018-2019
Efor A.Ş.	Biomass plant filter system	According to off gas system which capacity is 176000m ³ /h - Axial cyclone, Bag house filter, Mixer unit, ID fan All duct works and chimney, CEMS system, Ash silo and pneumatic transport line works, will be done as EPC contractor.	2020
Erdemir A.Ş.	Steel plant secondary de-dusting filter	EPC contractor for 1.610.000.0m ³ /h filter, cyclone, fans, canopy hoods etc.	On-going
FLSmidth	Clinker cooler ESP upgrading works at Kipaş Cement plant	Rotary mill no:1 cooler ESP has been upgraded by us. All design engineering works were done by FLSmidth and Fil-Tek manufactured all local parts and site works will be finalize in April.	2021
Oyak Çimento	Adana Cement fabric filter for 4th rotary mill cooler	EPC contractor for 500.000m ³ /h new heat exchanger + fabric filter	2021
Heidelberg Cement	Akçansa Cement 2nd mill filtre retrofit filter	Existing rotary mill filter, capacity 1.200.000m ³ /h was upgraded	2022



Makine İnşaat Elektrik San. ve Dış Tic. Ltd. Şti.

Latest Referances For Esp To Ff

Meriç Sokak Milaslı 2000 İş Merkezi No: 5A/2 Beştepe / ANKARA - TÜRKİYE
P: +90 312 212 2555 • F: +90 312 212 3444
info@filtek.com.tr

Client	Key parts & Engineering by	Description of works	Details	No. Of filter	Filter Types	Achieved emission level	Year
Oyak / Aslan Cement Plant	FLSmidth	Conversion works from ESP to bag house filter	Rotary kiln no:1 ESP conversion (595.000m ³ /h) Rotary kiln no:2 ESP conversion (730.000m ³ /h)	2	On-line maintenance FF	<10mg/m ³	2007-2008
Nuh Cement Plant	FLSmidth	Conversion works from ESP to bag house filter	Rotary kiln no:1 ESP conversion (690.000m ³ /h) Rotary kiln no:2 ESP conversion (695.000m ³ /h) Rotary kiln no:3 ESP conversion (968.000m ³ /h) Trass dryer mill ESP conversion works (445.000m ³ /h) Cement mill 1/2/3 ESP conversion works	7	On-line maintenance FF	<10mg/m ³	2008-2011
Limak / Diyarbakır Cement	FLSmidth	Conversion works from ESP to bag house filter	Rotary kiln no:1 ESP conversion (495.000m ³ /h)	1	On-line maintenance FF	<10mg/m ³	2011
Erdemir / Ereğli Iron&seteel	FLSmidth	Upgrading works of Sinter ESP's	2*1.110.000m ³ /h capacity ESP were upgraded by changing all internals	2	ESP	<10mg/m ³	2012-2013
Cementir / Izmir Cement Plant	FLSmidth	Conversion works from ESP to bag house filter	Rotary kiln no:1 ESP conversion (830.000m ³ /h) Rotary kiln no:2 ESP conversion (640.000m ³ /h)	2	On-line maintenance FF	<10mg/m ³	2011-2013
Titan / Adoçim	FLSmidth	Conversion works from ESP to Hybrid filter	Rotary kiln ESP conversion works to HYBRID filter 996.000m ³ /h	1	Hybrid Filter	<10mg/m ³	2013
Göllaş Cement Plant	FLSmidth	Conversion works from ESP to bag house filter	Rotary kiln no:1 ESP conversion (709.000m ³ /h) Rotary kiln no:2 ESP conversion (600.000m ³ /h) Rotary kiln no:3 ESP conversito (750.000m ³ /h)	3	Semi-off line maintenance On-line maintenance FF	<5mg/m ³	2013-2015
Isken / Power plant	FLSmidth	Upgrading works of Sinter ESP's	2*869.000m ³ /h capacity ESP were upgraded by changing all internals	2	ESP	<10mg/m ³	2018-2019
Kıpaş / Kahramanmaraş Plant	FLSmidth	Clinker cooler ESP upgrading works at Kıpaş Cement plant	Rotary mill no:1 cooler ESP has been upgraded by us. All design engineering works were done by FLSmidth and Fil-Tek manufactured all local parts and site works will be finalize in April 2021	1	ESP	<10mg/m ³	2021
Oyak / Adan Cement Plant	-	Conversion works from ESP to bag house filter	Rotary kiln no:4 ESP conversion (500.000m ³ /h)	1	On-line maintenance FF	<5mg/m ³	2022
Heidelberg&Akçansa / Çanakkale Cement Plant	FLSmidth	Upgrading works of Rotary mill filter ESP's	Rotary kiln no:2 bag house filter upgrading works (1.200.000m ³ /h)	1	On-line maintenance FF	<5mg/m ³	2022